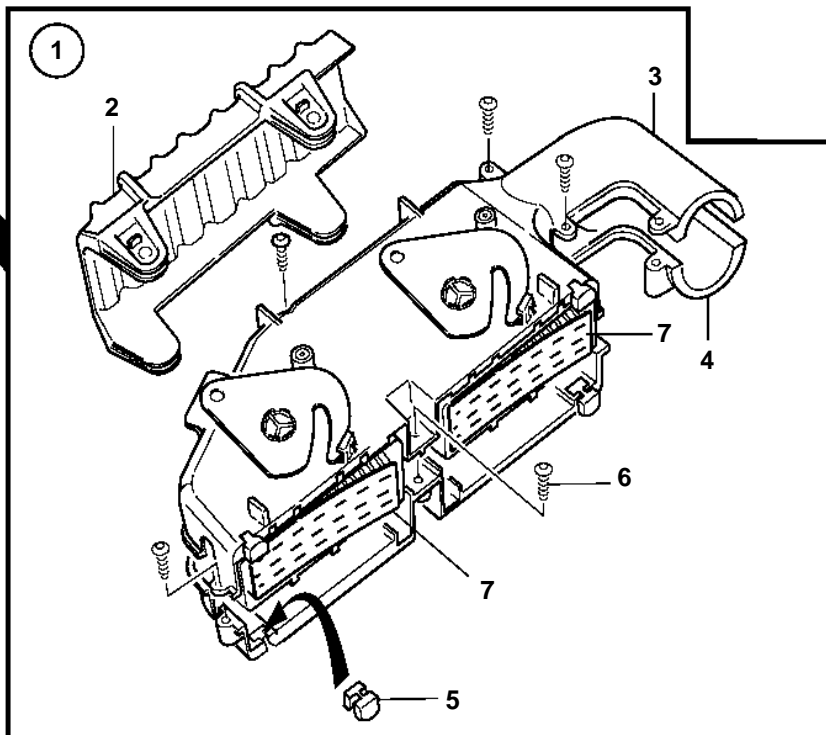
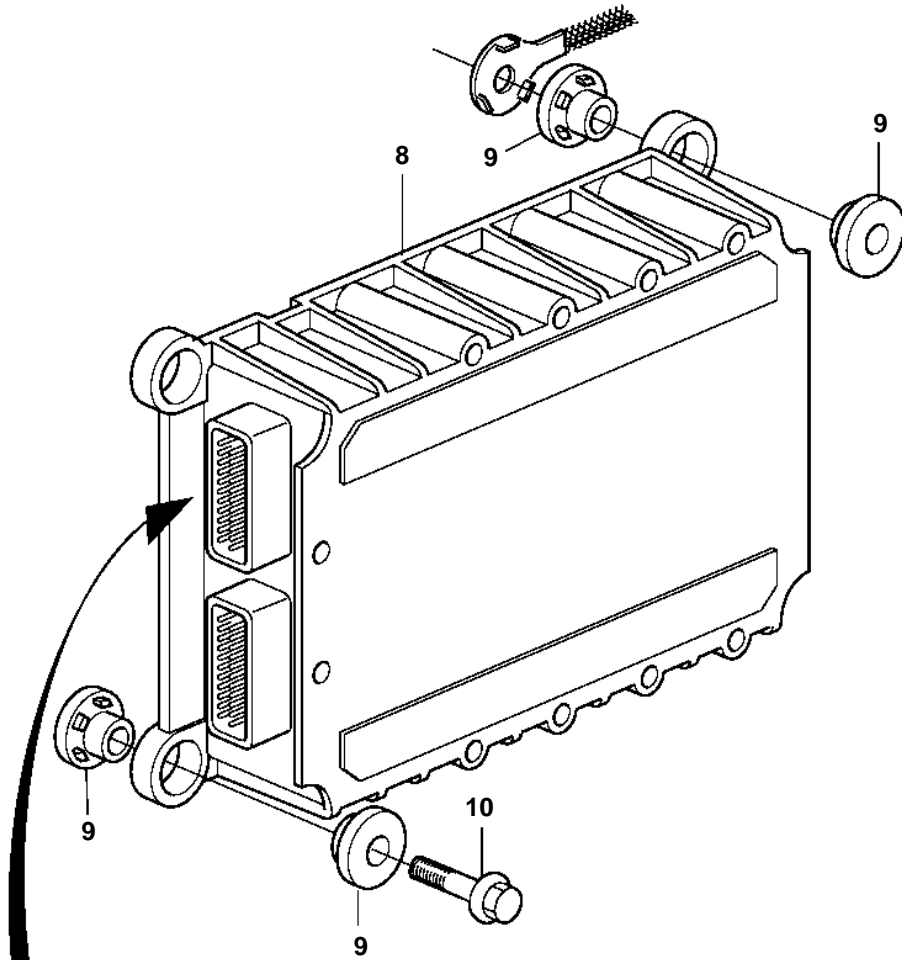


D12C-A MP



## D12C-A MP

REF	PART NO.	QTY	DESCRIPTION	NOTES
1		1	Switch	
2	3199185	1	• Handle	
3	3173907	1	• Cover	
4	3173908	1	• Cover	
5	3173913	4	• Vibration damper	
6	975367	5	• 6 point socket screw	
7		2	• Pin housing	
8	3838229	1	Engine control modul	525kW (715hp) 2300 RPM, E.U=3803594, REPL BY (20577134)
	3838228	1	Engine control modul	515kW (700hp) 2300 RPM, E.U=3803593, REPL BY (20577134)
	3838230	1	Engine control modul	496kW (675hp) 2300 RPM, E.U=3803595, REPL BY (20577134)
	3838231	1	Engine control modul	478kW (650hp) 2300 RPM, E.U=3803596, REPL BY (20577134)
	3838232	1	Engine control modul	452kW (615hp) 2100 RPM, E.U=3803597, REPL BY (20577134)
	20577134		Control unit	EDC. Software ordered separately or downloaded with VODIA.
	3586269		Software	Warehouse programming. This p/n can not be ordered, but will be used for invoicing.
	3586268		Software	Vodia-programming. This p/n can not be ordered, but will be used for invoicing.
9	3095161	4	• Rubber cushion	
10	948217	4	Flange screw	